

Foxboro P0916DB

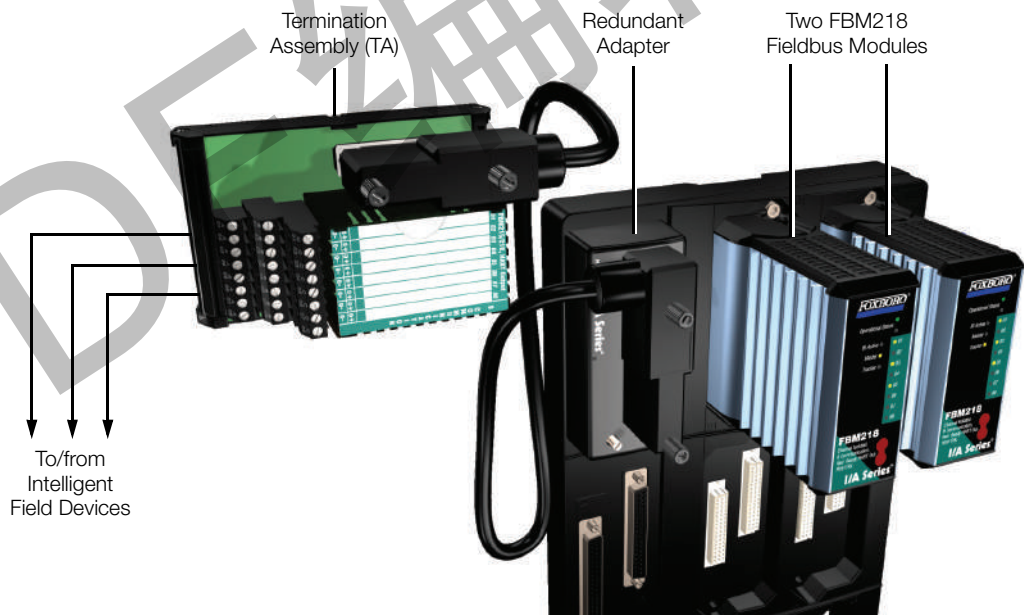


Table 1. Certification for Termination Assemblies

Type	Certification ^(a)
Type 1	TAs are UL/UL-C listed as suitable for use in Class I; Groups A-D; Division 2 temperature code T4 hazardous locations. They are CENELEC (DEMKO) certified EEx nA IIC T4 for use in Zone 2 potentially explosive atmospheres.
Type 2	TAs are UL/UL-C listed as associated apparatus for supplying non-incendive field circuits Class I; Groups A-D; Division 2 hazardous locations when connected to specified DIN rail mounted FBMs and field circuits meeting entity parameter constraints specified in <i>DIN Rail Mounted Subsystem User's Guide</i> (B0400FA). They are also CENELEC (DEMKO) certified as associated apparatus for supplying field circuits for Group IIC, Zone 2 potentially explosive atmospheres. Field circuits are also Class 2 limited energy (60 V dc, 30 V ac, 100 VA or less) if customer-supplied equipment meets Class 2 limits.

(a) All TAs are UL/UL-C listed to comply with applicable ordinary location safety standards for fire and shock hazards. Hazardous location types comply with ATEX directive for II 3 G use. They also comply with the requirements of the European Low Voltage Directive. All listings/certifications require installation and use within the constraints specified in *DIN Rail Mounted Subsystem User's Guide* (B0400FA) and the conditions stated in UL and DEMKO reports.

Table 2. Cables Types and Part Numbers

Cable Length m (ft)	Type 1 P/PVC ^(a)	Type 1 H/XLPE ^(b)	Cable Length m (ft)	Type 1 P/PVC ^(a)	Type 1 H/XLPE ^(b)
0.5 (1.6)	P0916DA	P0916VA	10.0 (32.8)	P0916DE	P0916VE
1.0 (3.2)	P0916DB	P0916VB	15.0 (49.2)	P0916DF	P0916VF
2.0 (6.6)	P0931RM	P0931RR	20.0 (65.6)	P0916DG	P0916VG
3.0 (9.8)	P0916DC	P0916VC	25.0 (82.0)	P0916DH	P0916VH
5.0 (16.4)	P0916DD	P0916VD	30.0 (98.4)	P0916DJ	P0916VJ

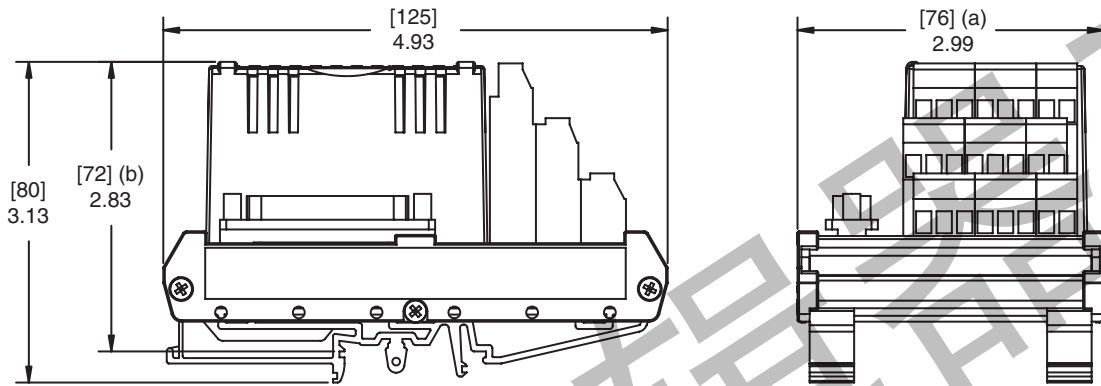
(a) P/PVC is polyurethane outer jacket and semi-rigid PVC primary conductor insulation.

(b) H/XLPE is Hypalon outer jacket and XLPE (cross-linked polyethylene) primary conductor insulation.

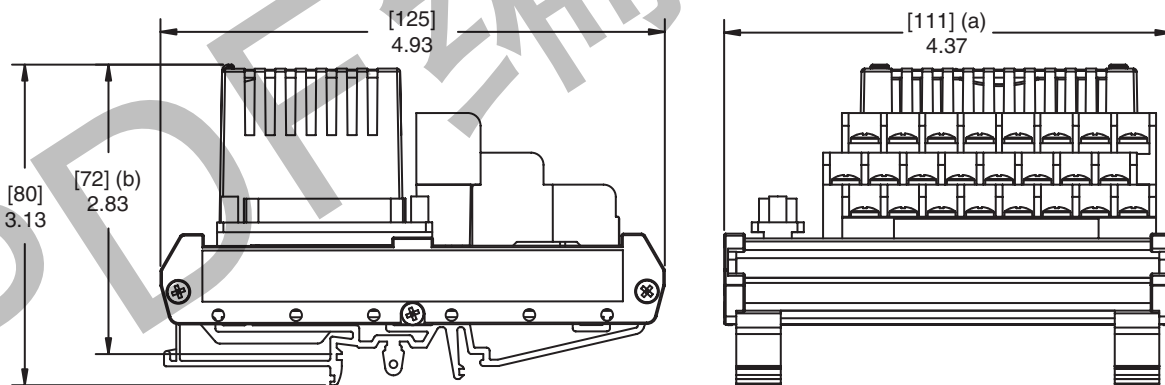
DIMENSIONS – NOMINAL

[mm]
in

Compression Termination Assembly



Ring Lug Termination Assembly



- (a) Overall width – for determining DIN rail loading.
(b) Height above DIN rail (add to DIN rail height for total).